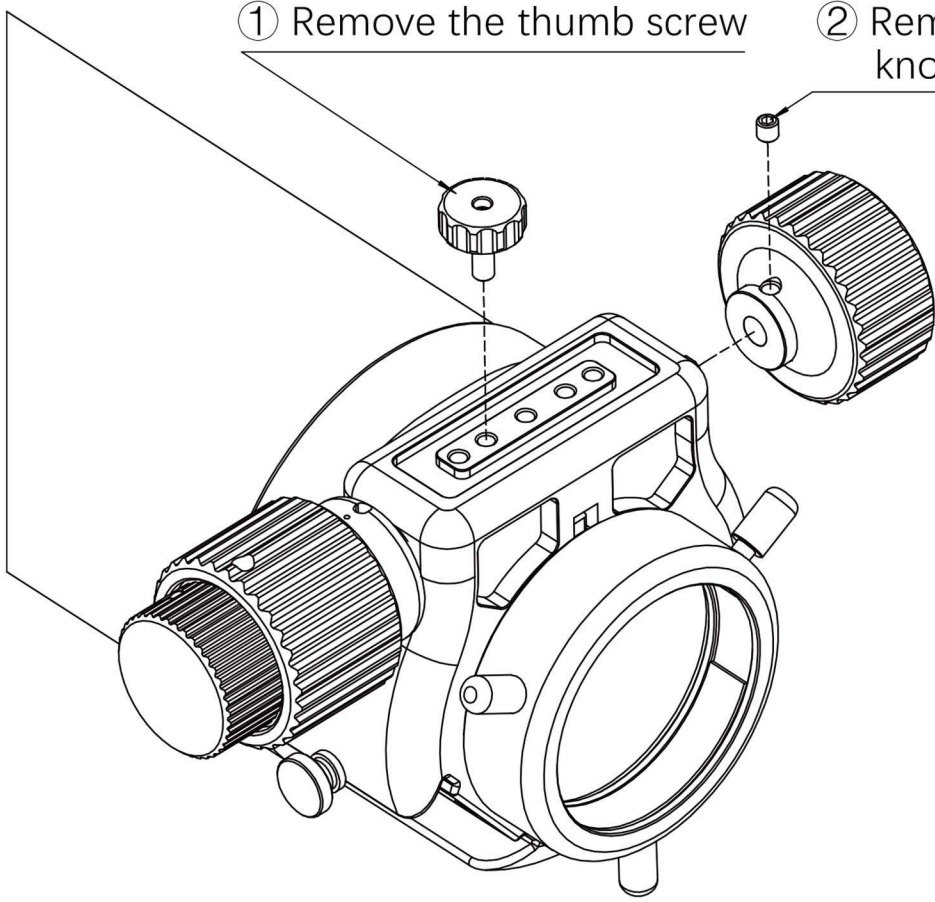
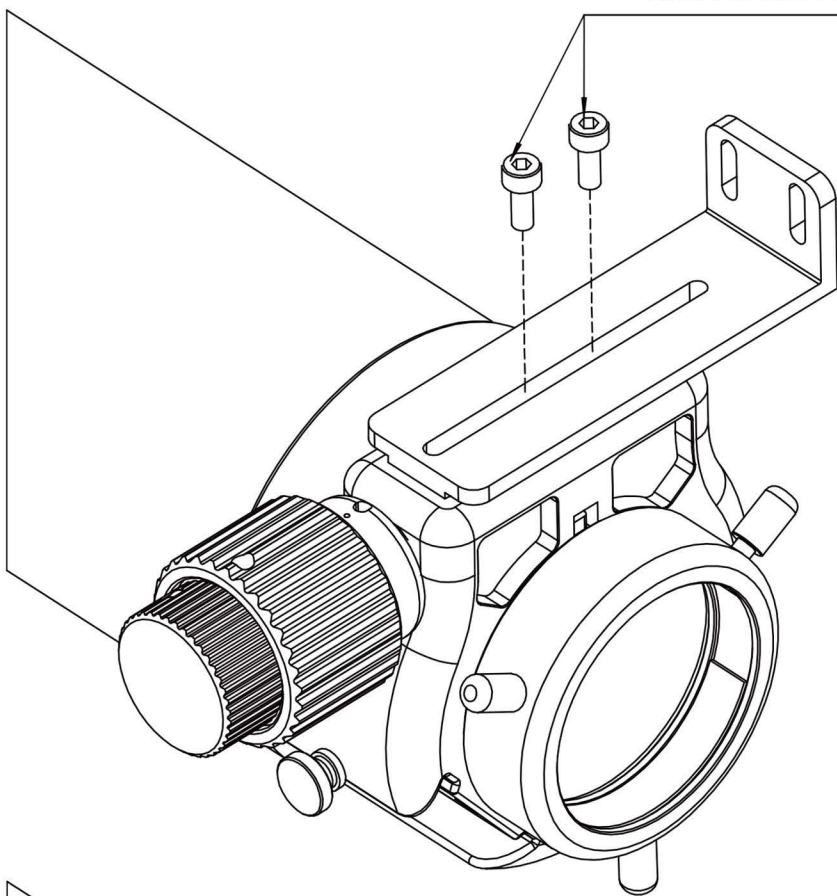


- ① 拆卸手拧螺丝
① Remove the thumb screw

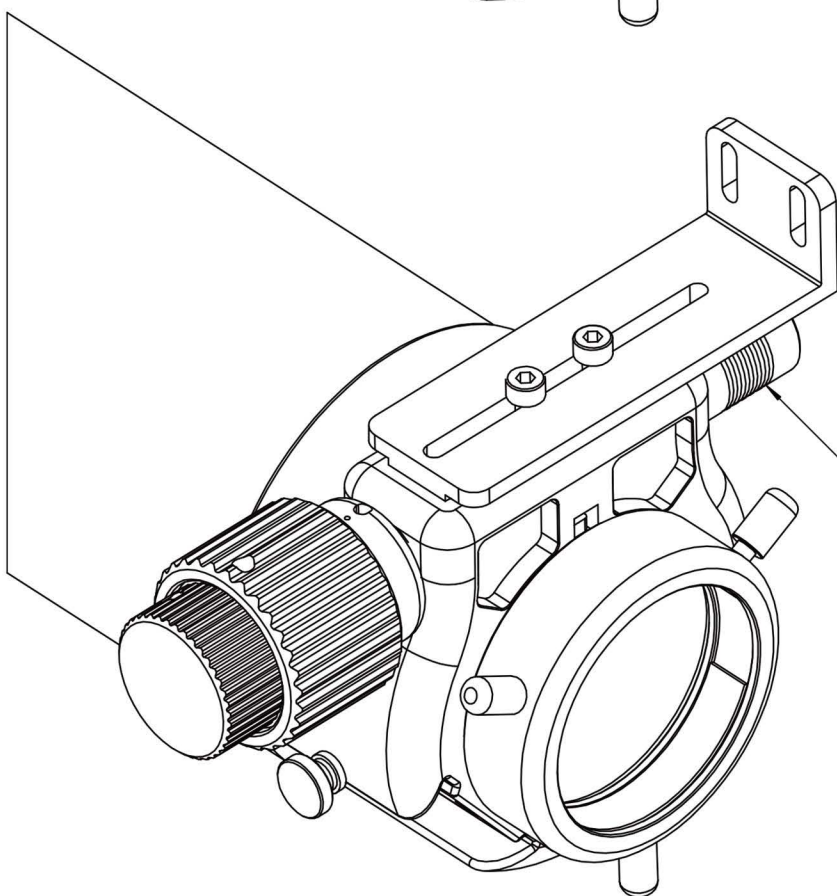
- ② 用2mm扳手拆卸粗调旋钮
② Remove the coarse adjustment knob with a 2mm wrench



- ③ 将标准连接板M4螺丝旋入图示孔位但不要锁紧
③ Put the motor bracket on and screw the standard M4 screws into the hole shown, but please do not lock them now.



- ④ 选用5-6mm弹性联轴器并锁紧该螺丝
④ Choose the 5-6mm flexible coupling and lock this screw.



- ⑥ 锁紧EAF安装螺丝
⑥ Lock the EAF mounting screws

- ⑦ 最后锁紧M4固定螺丝
⑦ Finally, lock the M4 fixing screws

- ⑤ 将EAF(另购)插入联轴器并锁紧联轴器端锁紧螺丝
⑤ Insert the EAF(optional) into the flexible coupling and lock the coupling end locking screw.

